

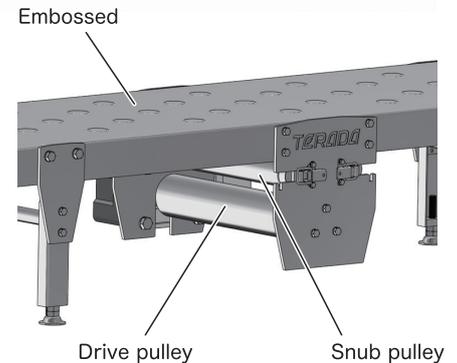
Belt conveyor (Sanitary type)

Clean conveyor has appeared which can be cleaned easily.



Features

- Washable all stainless-steel frame with pulley.
- Drive motor is water-proof/dust-proof (IP66※note) is used as standard.
- Belt can be loosened by removing snub pulley and cleaning is easy.
- Center drive's under cover can also be detached by one-touch without tools.
- Touching side of frame & belt is embossed and excellent in sanitary.



Specifications

Type	Full length	Belt width	Motor output	Speed change	Power classification	Conveying capacity
	mm	mm	w		V	kg/min
SBD 3	1,000 ~ 5,000	100 ~ 600	120	Inverter/fixed speed	100 / 200	2.0

Remarks: Width/length/belt can be selected according to customer needs.

Belt is anti-bacterial/anti-mold specification.

Conveying ability differs according to the material.

Legs are optional.

※Note Dust-proof level 6, water-proof level 6 established by international IEC/JIS standards
(Dust won't enter, there is no harmful effects according to strong water flow)

※Part of the specifications might be changed for improvement.

株式会社 寺田製作所
 TERADA SEISAKUSHO CO.,LTD.

No.869-1 Ushio Shimada-shi Shizuoka-ken 428-8502 Japan
 Phone : +81-547-45-5111 Fax : +81-547-45-5110
<https://www.web-terada.jp> E-mail: info@web-terada.jp

● Sales agent

